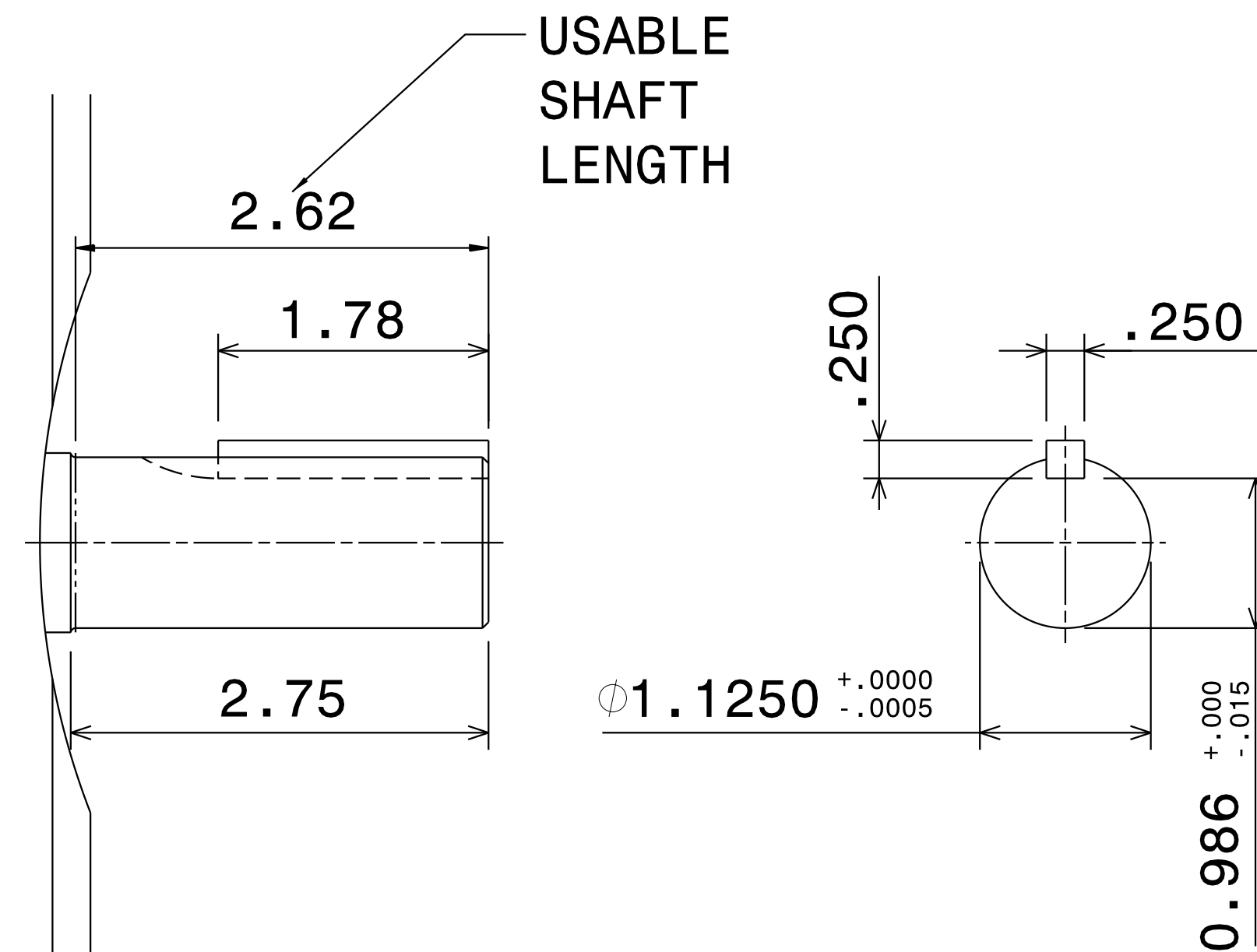
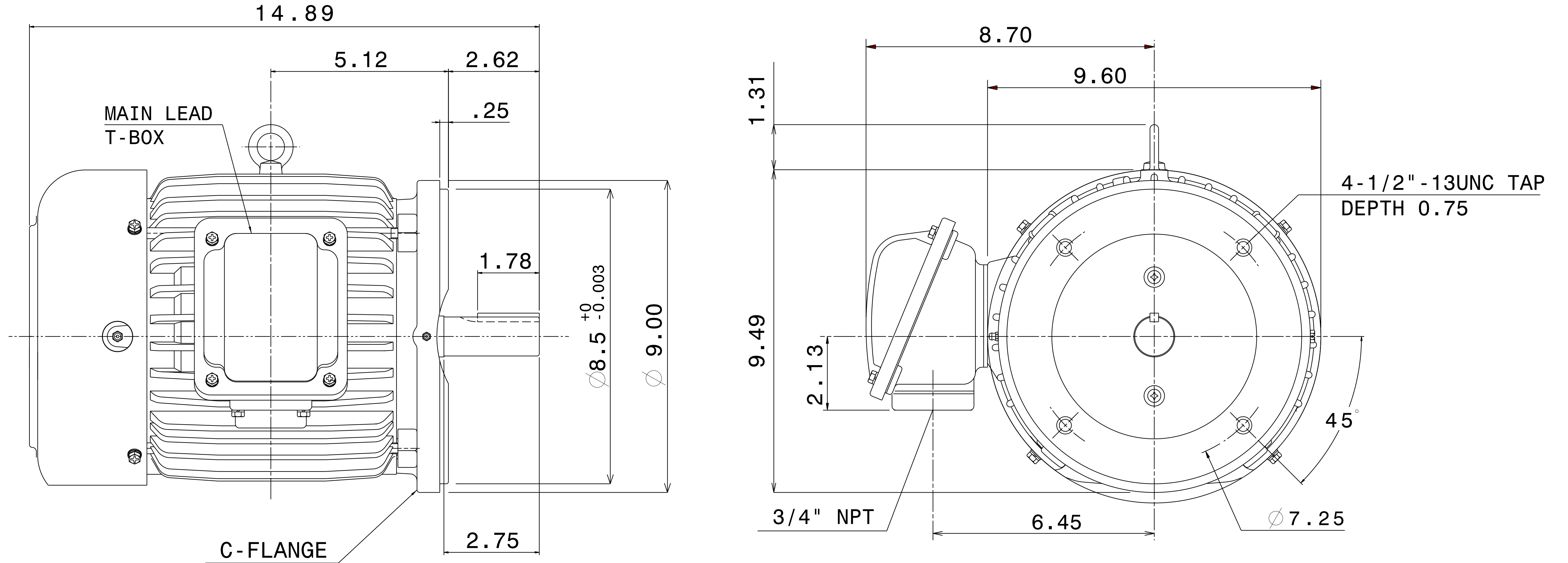


CATALOG #	TYPE	FRAME	OUTPUT		POLE	SYN. SPEED R.P.M.	VOLTAGE V.	Hz.	TIME RATING	INSULATION CLASS	SERVICE FACTOR	BEARINGS		WEIGHT LBS
			HP	KW								DE	NDE	
XPV0032C	AEUHXG	182TC	3	2.2	2	3600	230/460	60	CONT.	F	1.15	6306ZZC3	6306ZZC3	115

TOTALLY ENCLOSED FAN-COOLED VERTICAL TYPE. SQUIRREL CAGE MOTOR



NOTES:

1. DIMENSIONS IN INCH.
2. ENCLOSURE: IP54.
3. FOR DIRECT FLEXIBLE COUPLING.
4. EXPLOSION PROOF: CLASS I, DIVISION 1, GROUP C,D AND CLASS II, GROUP E,F AND G TEMP CODE T2D/T3B.

REV. DATA	REV NO
TECO Westinghouse	01
3-PHASE INDUCTION MOTOR OUTLINE DIMENSIONS	DWG NO. XPV0032C
DWN K. MILNER 101317 APPD T. FELPS 101317	
TECO-WESTINGHOUSE MOTOR COMPANY	ROUND ROCK, TEXAS USA